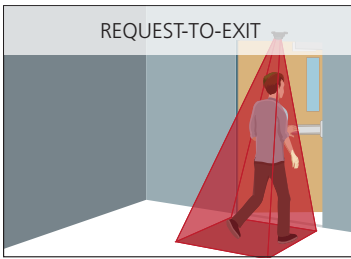


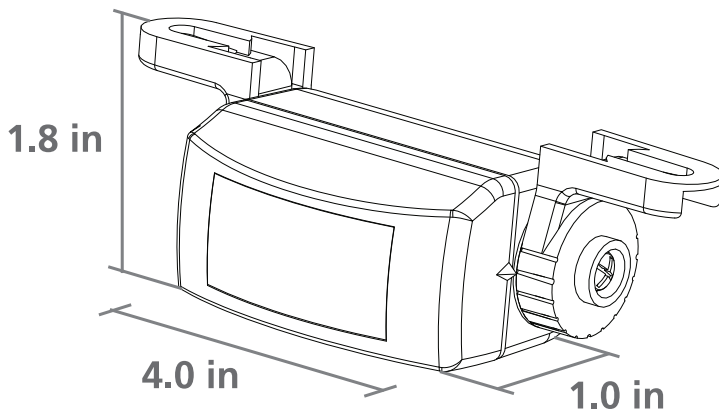
APPLICATIONS



TECHNICAL SPECIFICATIONS

Technology	Passive Infrared
Mounting Height	Recommended: 78 in – 96 in (6.5 ft – 8 ft) Maximum: 120 in (10 ft)
Mounting Angles	0° – 180°
Power Supply	12 – 24 VAC; ±10%; (50 / 60 Hz) 12 – 24 VDC; –10% / 30%
Current Consumption	< 10 mA (20 mA if the relay output is activated)
Contact Rating	1 A / 75 VDC or 50 VAC potential free contact NO / NC
Optical Characteristics	Passive infrared with four elements 15 Fresnel lenses with full independent masking possibilities
Warm-up Time	10 s
Response Time	Maximum: 200 ms
Relay Hold Time	
Standard Fly	0.5 or 2 s
Fly Extended Relay Time	15 or 30 s
Operating Temperature	–22 °F – 140 °F (–30 °C – 55 °C)
Cable	108 in (9 ft) four-conductor cable with 5-pin connector
Weight	1.4 oz (40 g)
Sensor Dimensions	4.0 in (W) x 1.8 in (H) x 1.0 in (D)

DIMENSIONAL DRAWINGS



RELATED PRODUCTS

FLY KITS

10FLYKITB – INCLUDES: 10FLYBLK, 10FSABLK, 10FCABLK

10FLYKITBERT – INCLUDES: 10FLYBLKERT, 10FSABLK, 10FCABLK

FLY KIT COMPONENTS *(not sold separately)*



10FLYBLK
STANDARD
SENSOR – BLACK



10FLYBLKERT
EXTENDED RELAY
TIME – BLACK



10FSABLK
FLY SURFACE
ADAPTER – BLACK



10FCABLK
FLY CEILING
ADAPTER – BLACK



SENSING FIELD
ADJUSTMENT MASK



70.0011
108 INCH
CABLE

www.BEAinc.com

© 2017 BEA, Inc. All rights reserved.

FLY KIT COMPACT PASSIVE INFRARED REQUEST-TO-EXIT SENSOR

Erich Industries, Inc.
DoorSensors.com
sales@erichindustries.com
1-800-882-5839

