

U.S. PATENT #4365-442

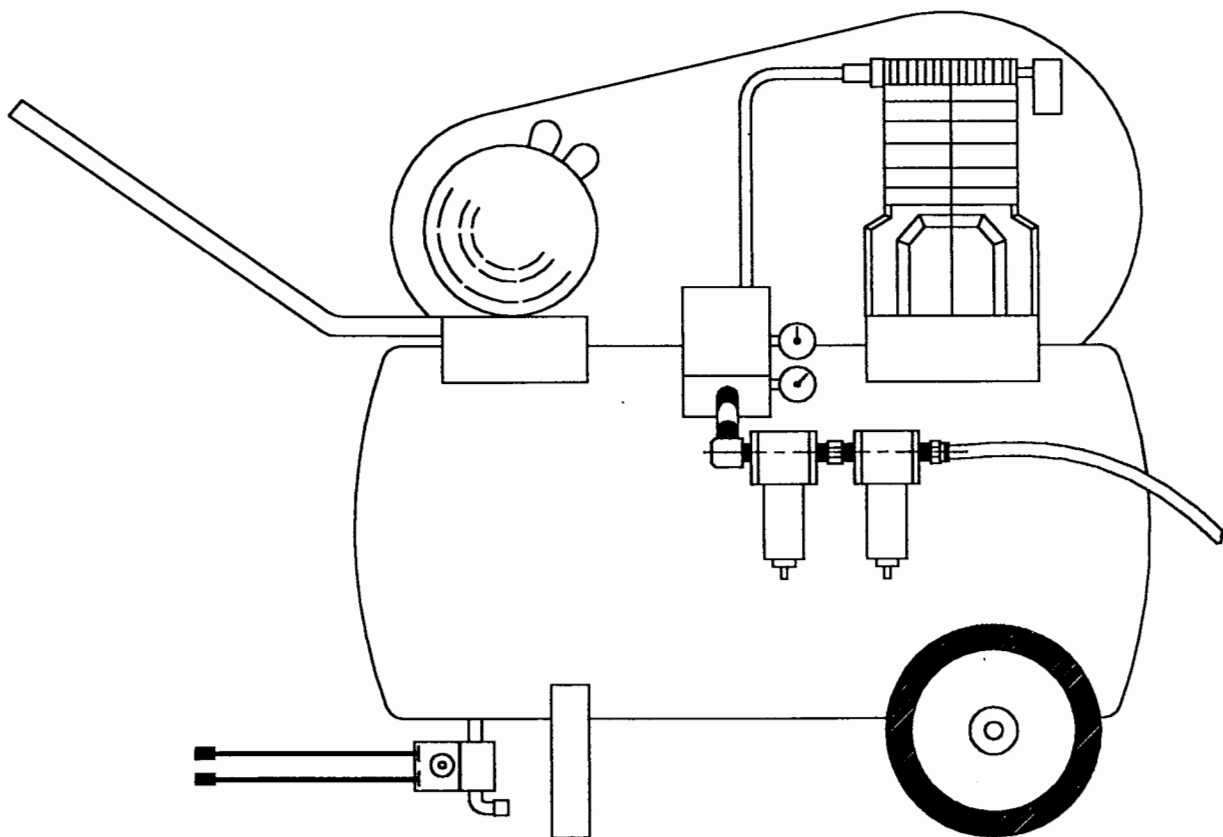
CHASE Industries' "DOOR DYNAMICS" - "KWIK-OP" Systems

OPERATIONAL MANUAL
AND
INSTALLATION INSTRUCTIONS

COMPRESSOR ASSEMBLY & AUTO DRAIN VALVE

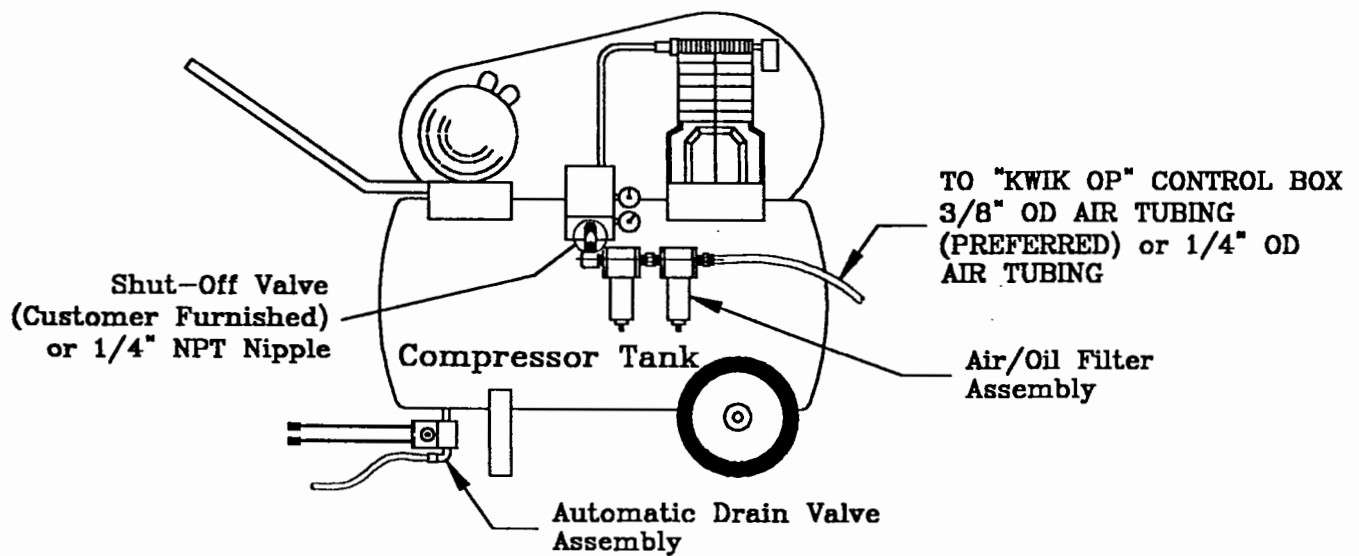
B8214 - 2.5 Hp System (110 Volt)

B8216 - 5.5 Hp System (220 Volt)

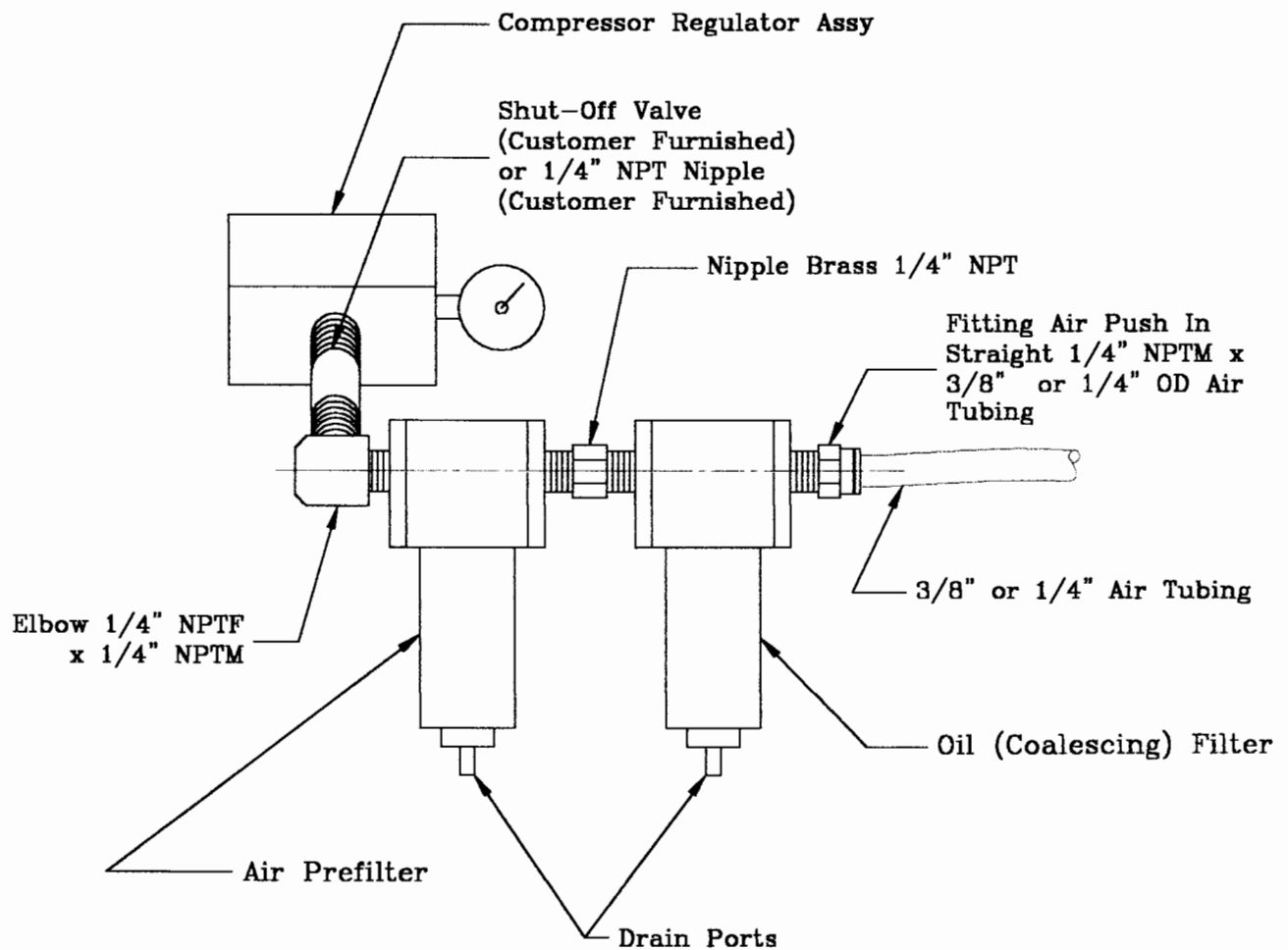


Technical Customer Support 1-800-305-6736

Compressor Assembly



Air/Oil Filter Assembly



Section 2 – Safety

- WARNING -

Read these safety practices before installing, operating or servicing the door opener. Failure to follow these safety practices could result in property damage, serious bodily injury or death.

READ AND UNDERSTAND ALL OPERATING INSTRUCTIONS IN THIS MANUAL BEFORE OPERATING THE DOOR OPENER. If you do not understand the instructions, ask your qualified supervisor to teach you how to use the door opener.

IMPORTANT: Doors must have vision panels in each door panel and/or be in accordance with all applicable OSHA or other governing rules and regulations.

1. Do not operate the door opener while under the influence of drugs or alcohol.
2. Do not use the door opener if it or the door appears in any way to be broken or not operating properly. Advise your supervisor at once.
3. Stay clear of the door and door opener while moving.
4. Keep all body parts including hands, feet, and head clear of door and door opener at all times.
5. Do not operate the door opener with equipment, material, people or any other object in the door or openers operational path.
6. Disconnect power before performing any electrical, mechanical or air supply service, cleaning or other maintenance on the door or door opener. OSHA requires power and air supply to be properly tagged and locked out during all maintenance or service of the equipment. With the power supply disconnected, always verify using a volt meter.
7. All electrical, mechanical or air supply troubleshooting or service must be completed by a qualified personnel or service person and must meet all applicable local, state, federal, international and any other governing agency codes.
8. When it is necessary to service the control box with power on, **USE EXTREME CAUTION.** Do not place any fingers or un-insulated tools inside the control box. Touching wires or other parts inside the enclosure may cause electrical shock, serious injury or death.
9. It is your responsibility to keep all warning labels and instructional manuals legible, intact and kept with the door opener. Replacement labels and manuals are available from Erich Industries, Inc.
10. Prior to putting the door opener into operation the user must have a safety training meeting with all personnel and users to instruct them on proper operation and all applicable safety procedures.
11. If you have any questions contact your supervisor or Erich Industries, Inc.
12. Failure to operate the door opener as intended, as described, or heed any warning may result in equipment damage, property damage, serious bodily injury or even death.