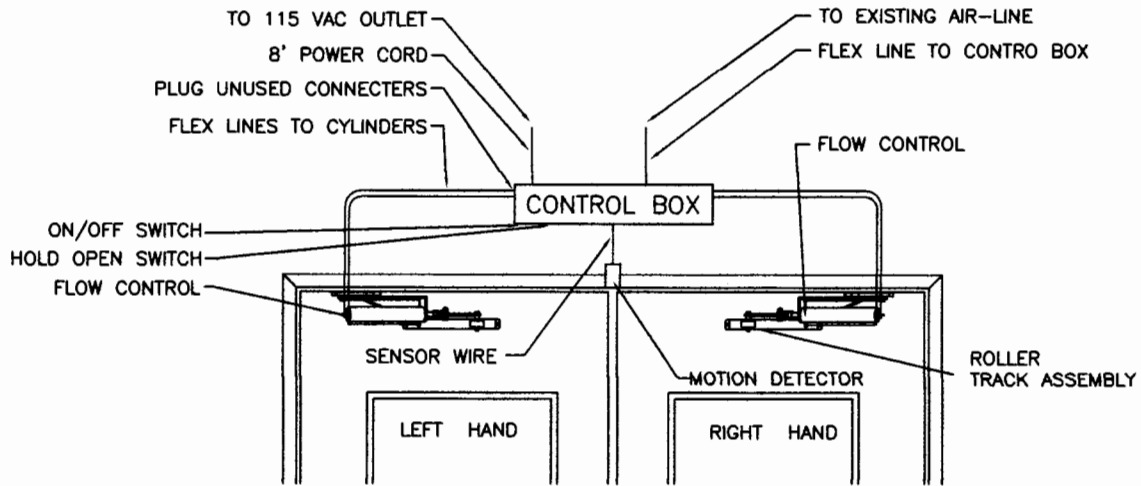
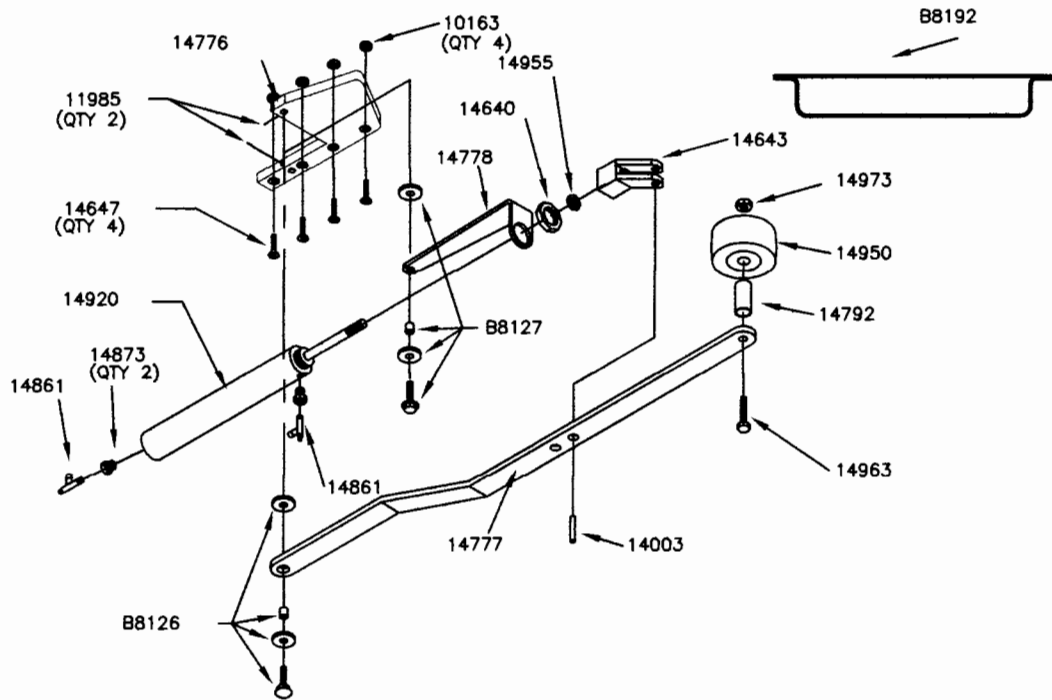


"KWIK-OP" COMPONENTS



"KWIK-OP" 630 ACTUATOR EXPLODED VIEW



PARTS LIST

Opener Parts	
14950	Wheel
11985	1/4"-20 Set Screw (QTY 2)
14963	5/16"-24 x 2 1/2" Hex Head Bolt
14955	Jamb Nut, 1/2 - 20
14003	Roll Pin, 5/16 Zink or S.S.
14647	1/4"-20 x 1" Flat Head Phillips (QTY 4)
10163	1/4"-20 Nylock Nut (QTY 4)
14973	5/16-24 Nylock Nut
14920	Cylinder 2"x 8" Diameter
14861	Swivel Flow Control
14776	T-Bracket, Right Hand
14776	T-Bracket Left hand
14777	Actuator Arm
14873	Reducer Bushing 14 NPT X 1/8 NPT(QTY 2)
14643	Clevis
14778	Cylinder Bracket
14792	Shim Sleeve for Wheel
14627	Backer Plate
14640	Hex Nut, 1 1/4 - 12, Zink, low profile
B8126	Arm Pivot Bolt Assembly
B8127	Cylinder Pivot Bolt Assembly
Opener Assemblies	
B8192	Roller Track Assembly
B8224	Left Hand Opener, Complete Assembly
B8225	Right Hand Opener, Complete Assembly
B8101	Control Box (NOT SHOWN)